

BLUE RIVER

Condensate drain pan with heating cable

11100100F3 - 11100100F6 - 11100101F3
11100101F6 - SCD300035 - SCD300036



TECHNICAL SPECIFICATIONS:

- Made of ABS + PMMA plastic ivory
- Adjustable fastening brackets in PA6
- Coupling for condensate drain pipe Ø 20 mm
- With 3 m or 6 m heating cable
- Heating cable diameter 6 mm
- Power supply voltage 230 V
- Resistance tolerances: -5% / +10%
- Activation of element at +3°C
- Built-in thermal sensor

WITH HEATING CABLE 3 m:

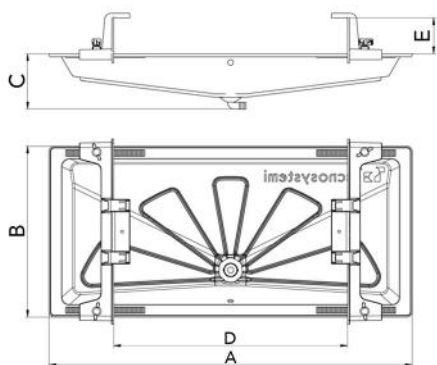


- Includes 15 W/m 3 m heating cable
- Coupling for condensate drain pipe Ø 16
- Heating cable diameter 6 mm
- Power supply voltage 230 Vac - 50 Hz
- Resistance tolerances: -5% / +10%
- Activation of element at +3°C
- Built-in thermal sensor

WITH HEATING CABLE 3+3 m:



- Includes 15 W/m 3 m + 3 m (6 m) heating cable
- Coupling for condensate drain pipe Ø 20
- Equipped with a condensate drain pipe securing clamp
- With 3 m insulated condensate drain pipe
- Heating cable diameter 6 mm
- Power supply voltage 230 V
- Resistance tolerances: -5% / +10%
- Activation of element at +3°C
- Built-in thermal sensor



DIMENSIONS

CODE	A [mm]	B [mm]	C [mm]	D [mm]	E [mm]
11100100F3	850	400	130	320 ÷ 680	85
11100100F6	850	400	130	320 ÷ 680	85
11100101F3	1050	400	125	330 ÷ 885	85
11100101F6	1050	400	125	330 ÷ 885	85
SCD300035	1250	500	100	565 ÷ 1125	85
SCD300036	1250	500	100	565 ÷ 1125	85

ITEMS

CODE	DESCRIPTION
11100100F3	"BLUE RIVER" DRAIN PAN IN PMMA W/TELESCOPIC BRACKETS & BLOCKING RACK & 3 mt HEATING CABLE (850x400 mm)
11100100F6	"BLUE RIVER" DRAIN PAN IN PMMA W/TELESCOPIC BRACKETS & BLOCKING RACK & 6 mt HEATING CABLE (850x400 mm)
11100101F3	"BLUE RIVER" DRAIN PAN IN PMMA W/TELESCOPIC BRACKETS & BLOCKING RACK & 3 mt HEATING CABLE (1050x400 mm)
11100101F6	"BLUE RIVER" DRAIN PAN IN PMMA W/TELESCOPIC BRACKETS & BLOCKING RACK & 6 mt HEATING CABLE (1050x400 mm)
SCD300035	
SCD300036	