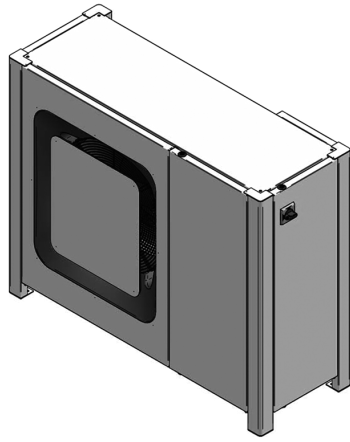


## UP-SE6030GS-EAE00



**ENGINEERING CODE**  
6S1DOS6C3FI



**REFRIGERANT**  
R-449A



**POWER SUPPLY**  
380-420 V 50 Hz  
/ 460 V 60 Hz



**APPLICATION**  
HBP



**MOTOR TYPE**  
3PH



**STANDARD**  
EN13215\_RG20

CE

✓ ECODSIGN  
COMPLIANT



**COOLING CAPACITY**  
7450 W



**EFFICIENCY**  
2.29 W/W

## DATA

## GENERAL DATA

**Model** UP-SE6030GS-EAE00

## ELECTRICAL DATA

**Rated Load Amperage (RLA)** 9.87 A

**Maximum Overcurrent Protection (MOP)** 22.21 A

**Minimum Current Ampacity (MCA)** 12.3 A

## ACCESSORIES

<b>Dryer</b>	Castel	DF316-5S
<b>Dualpressostat</b>	KP17W. (060-1275)	1996780
<b>Fanspeed Controller</b>	DANFOSS	XGE-4C. (061H3140)
<b>Heater</b>	70W-230V	2464355
<b>Sightglass</b>	Castel	3940_5
<b>Discharge valve</b>	FSV55	1996808
<b>Suction valve</b>	FSV77	1996810

## CONDENSING COMPONENTS

<b>Compressor</b>	SE6030GS	MBP
<b>Refrigerant</b>	R-404A	
<b>Fan Blade Diameter</b>	500 mm	
<b>Fankit</b>	FAN ASSEMBLY HOUSING 3	1996785

## MECHANICAL DATA

Air Flow	5195 m <sup>3</sup> /h
Height	1005 mm
Receiver	6 L
Shaft Power	220 W
Weight	127 Kg
Width	1277 mm
Length	538 mm

## PERFORMANCE

### TESTED CONDITIONS

Tested Refrigerant	R-449A
Tested Application	HBP
Tested Standard	EN13215_RG20

### RATED POINTS

Ambient Temperature °C	Evaporating Temperature °C	Cooling Capacity W	Efficiency W/W	Consumo de Potencia W
32	-10	7450	2.29	3248

Test Condition: Subcooling 3 K, Return Gas 20 °C.

### PERFORMANCE CURVE

Ambient Temperature 25°C

Evaporating Temperature °C	Cooling Capacity W	Efficiency W/W	Consumo de Potencia W
-15	6783	2.49	2728
-5	9562	3.03	3152
0	11212	3.31	3388

Test Condition: Subcooling 3 K, Return Gas 20 °C.

### PERFORMANCE CURVE

Ambient Temperature 32°C

Evaporating Temperature °C	Cooling Capacity W	Efficiency W/W	Consumo de Potencia W
-15	6251	2.07	3021
-5	8798	2.52	3492
0	10306	2.75	3753

Test Condition: Subcooling 3 K, Return Gas 20 °C.

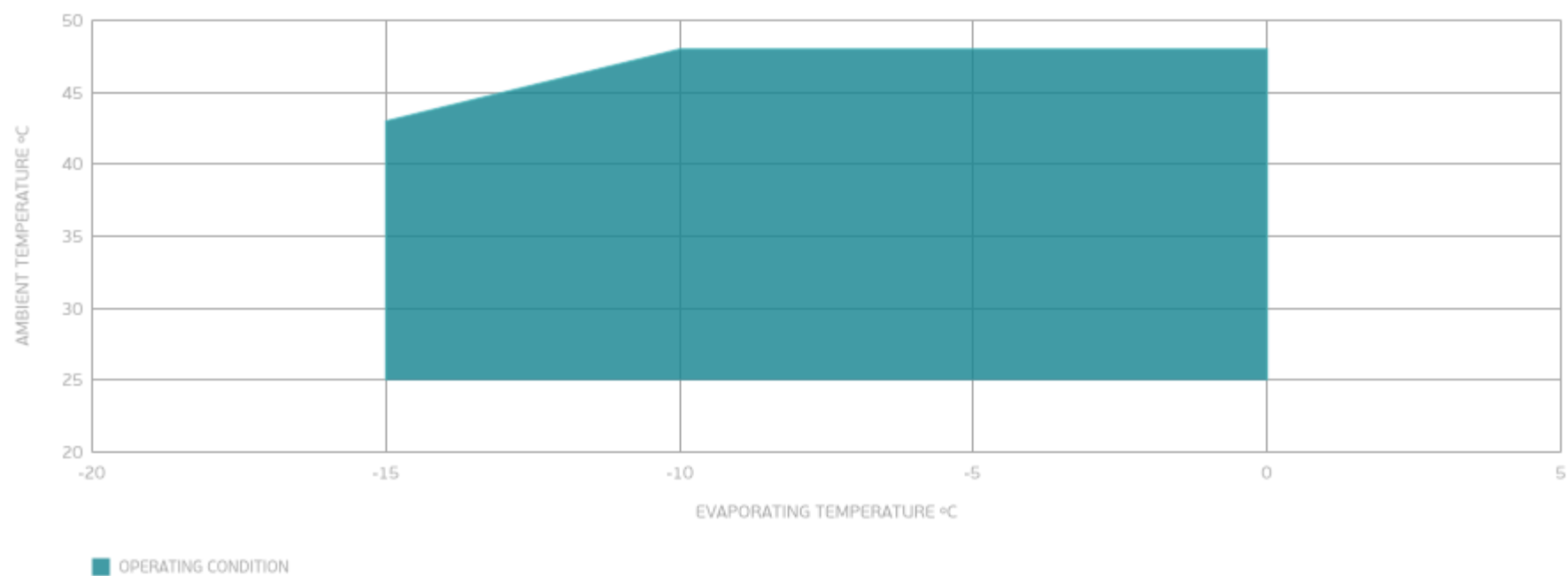
## PERFORMANCE CURVE

Ambient Temperature 43°C

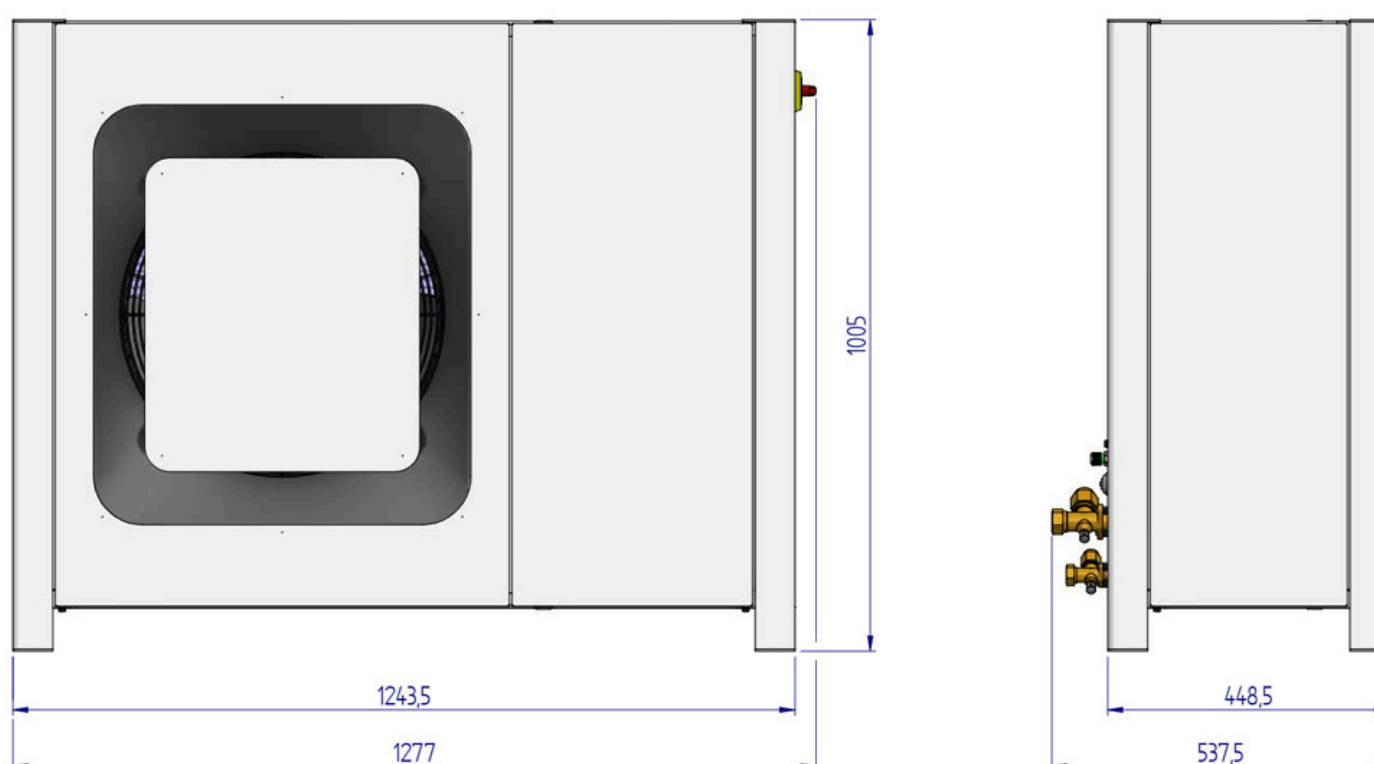
Evaporating Temperature °C	Cooling Capacity W	Efficiency W/W	Consumo de Potencia W
-15	5253	1.45	3616
-5	7467	1.79	4176
0	8765	1.95	4484

Test Condition: Subcooling 3 K, Return Gas 20 °C.

## ENVELOPE



## EXTERNAL DIMENSIONS



# WIRING DIAGRAM

